



CONTINUOUS SMARTci 4" SEALING TAPE OVER ALL GREENGIRT AND OVER ALL PANEL JOINTS, TYP.

GREENGIRTS ATTACHED TO SUBSTRATE; SPACING AS REQUIRED PER LOADING CONDITIONS AND CODES; MAX. 1/4" SHIMS WHERE REQ'D

OPTIONAL CAVITY BATT INSULATION (BY OTHERS)

VARIES

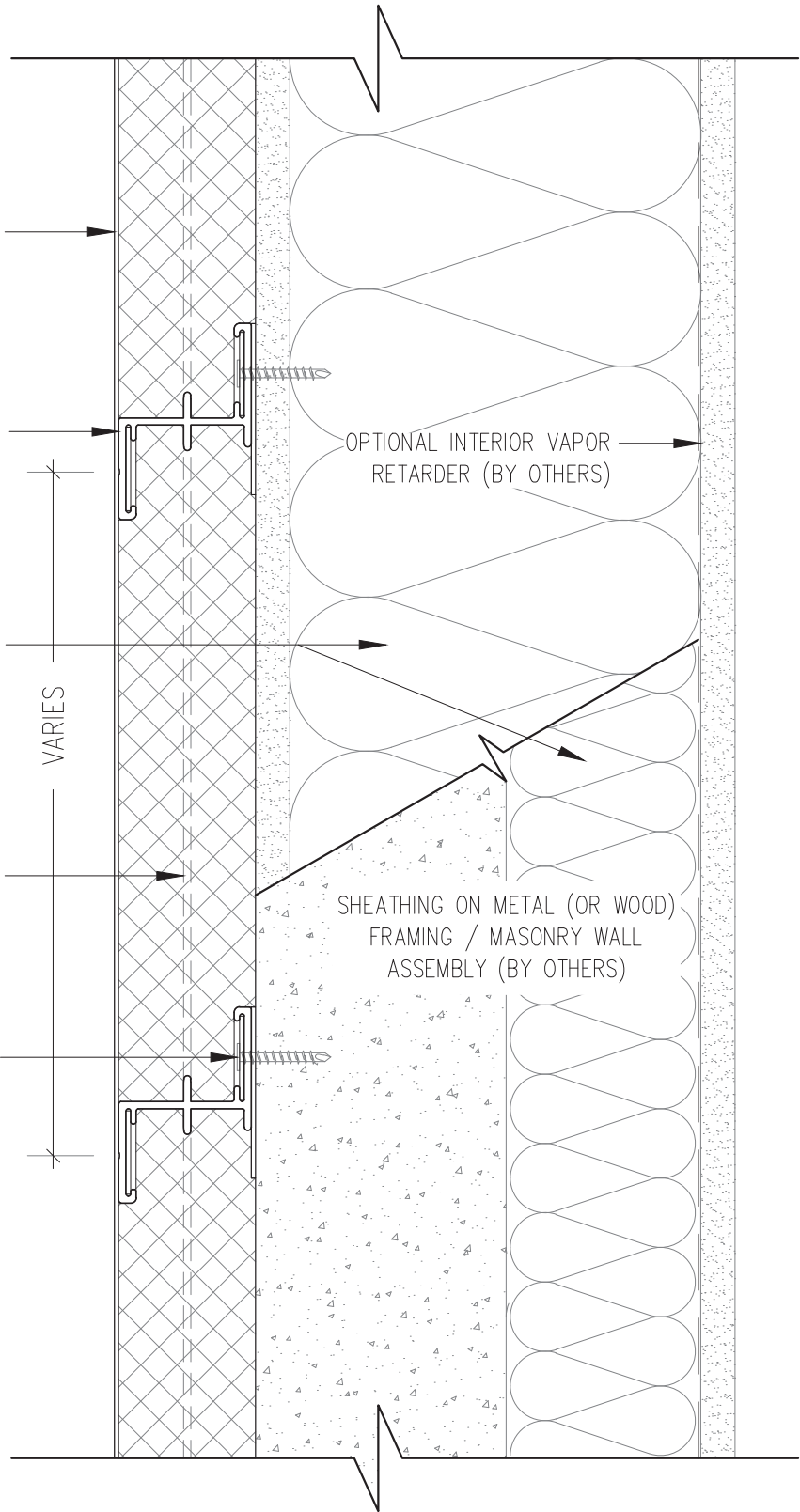
SMARTci CUSTOM-PROFILED RIGID INSULATION, WITH SPLINES AT ALL VERT. JOINTS

OPTIONAL INTERIOR VAPOR RETARDER (BY OTHERS)

SHEATHING ON METAL (OR WOOD) FRAMING / MASONRY WALL ASSEMBLY (BY OTHERS)

@ SHEATHED WALLS: APPROVED 1/4" #12 LOW-PROFILE FASTENERS, MAX. 16" O.C.; MUST FASTEN INTO STUDS, TYP. (BY OTHERS)

@ MASONRY WALLS: APPROVED 1/4" LOW-PROFILE THREADED AND COATED MASONRY FASTENERS, MAX. 16" O.C., TYP. (BY OTHERS)



SMARTci+ System

SUBSTRATE: SHEATHING / MASONRY

CLADDING: -

SIMPLE-Z SIZE: 200

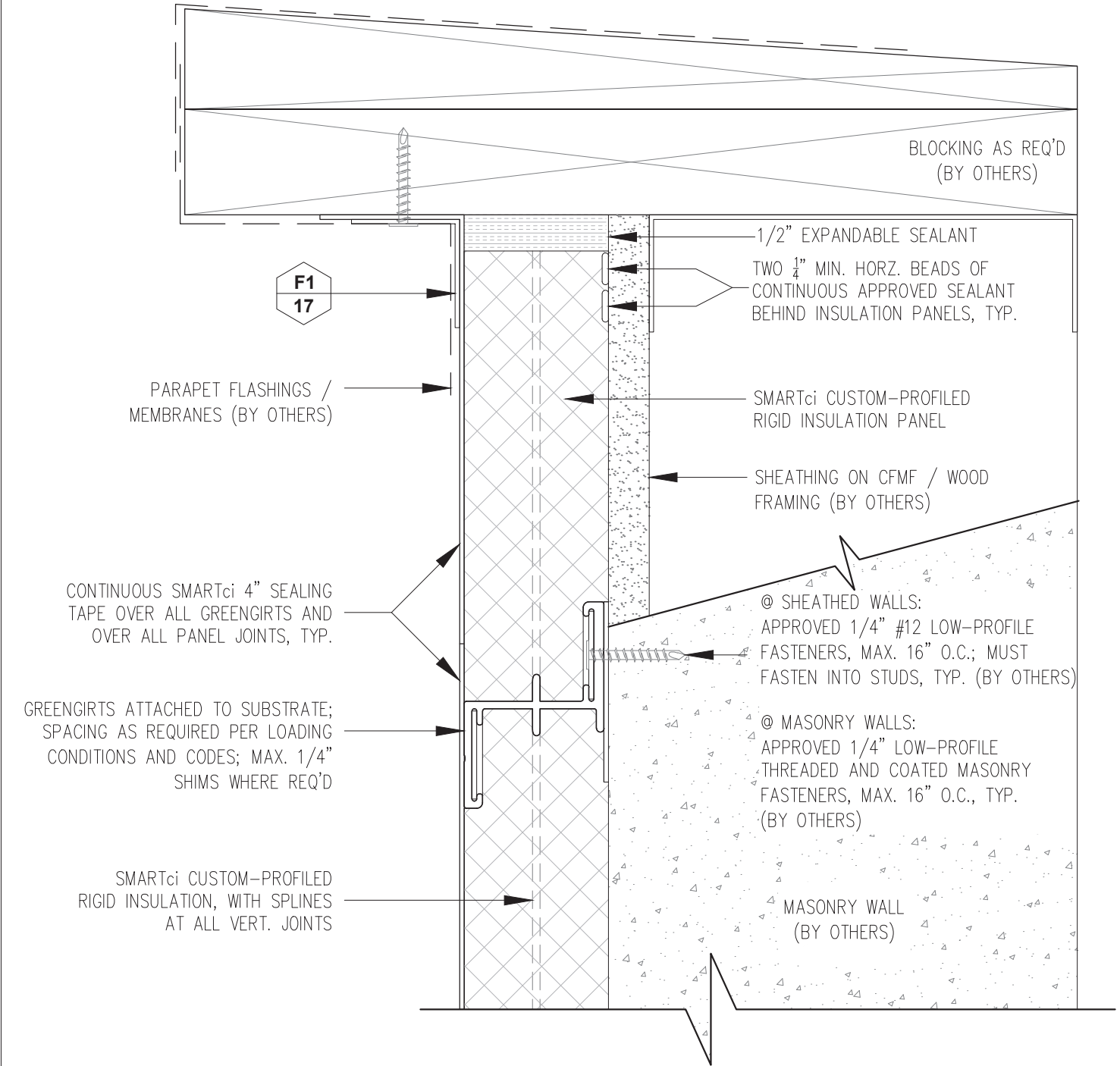
SMARTci™ RIGID INSULATION PANEL

DATE: 10-18-2016

GIRT ORIENTATION: HORIZONTAL

WALL SECTION

NOT TO SCALE



SMARTci+ System

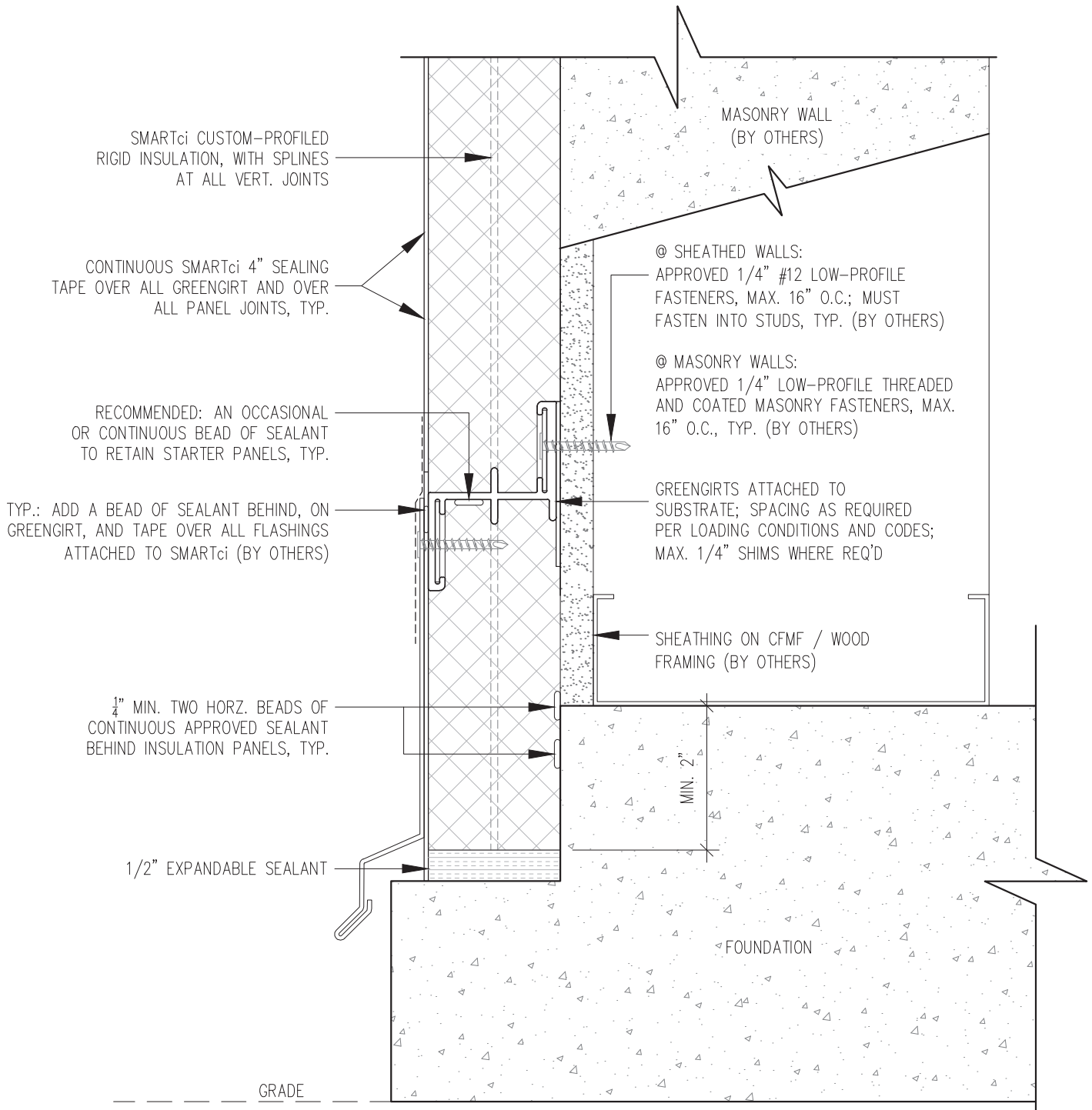
www.SMARTciSystems.com

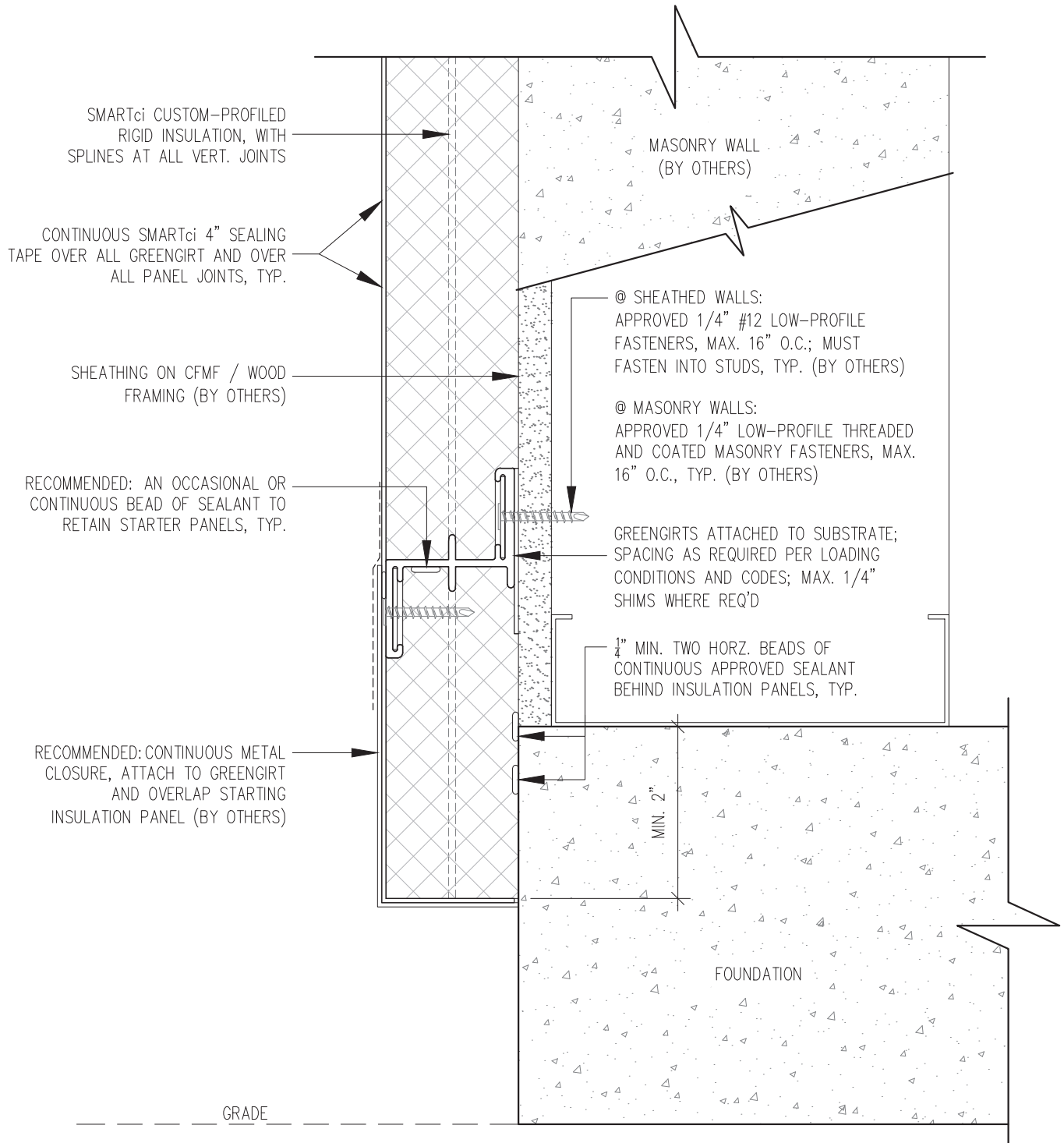
1 (269) 355-1818

SUBSTRATE: SHEATHING / MASONRY	SMARTci™ RIGID INSULATION PANEL
CLADDING: -	DATE: 10-18-2016
SIMPLE-Z SIZE: 200	GIRT ORIENTATION: HORIZONTAL

PARAPET DETAIL

NOT TO SCALE





SMARTci+ System

SUBSTRATE: SHEATHING / MASONRY

CLADDING: -

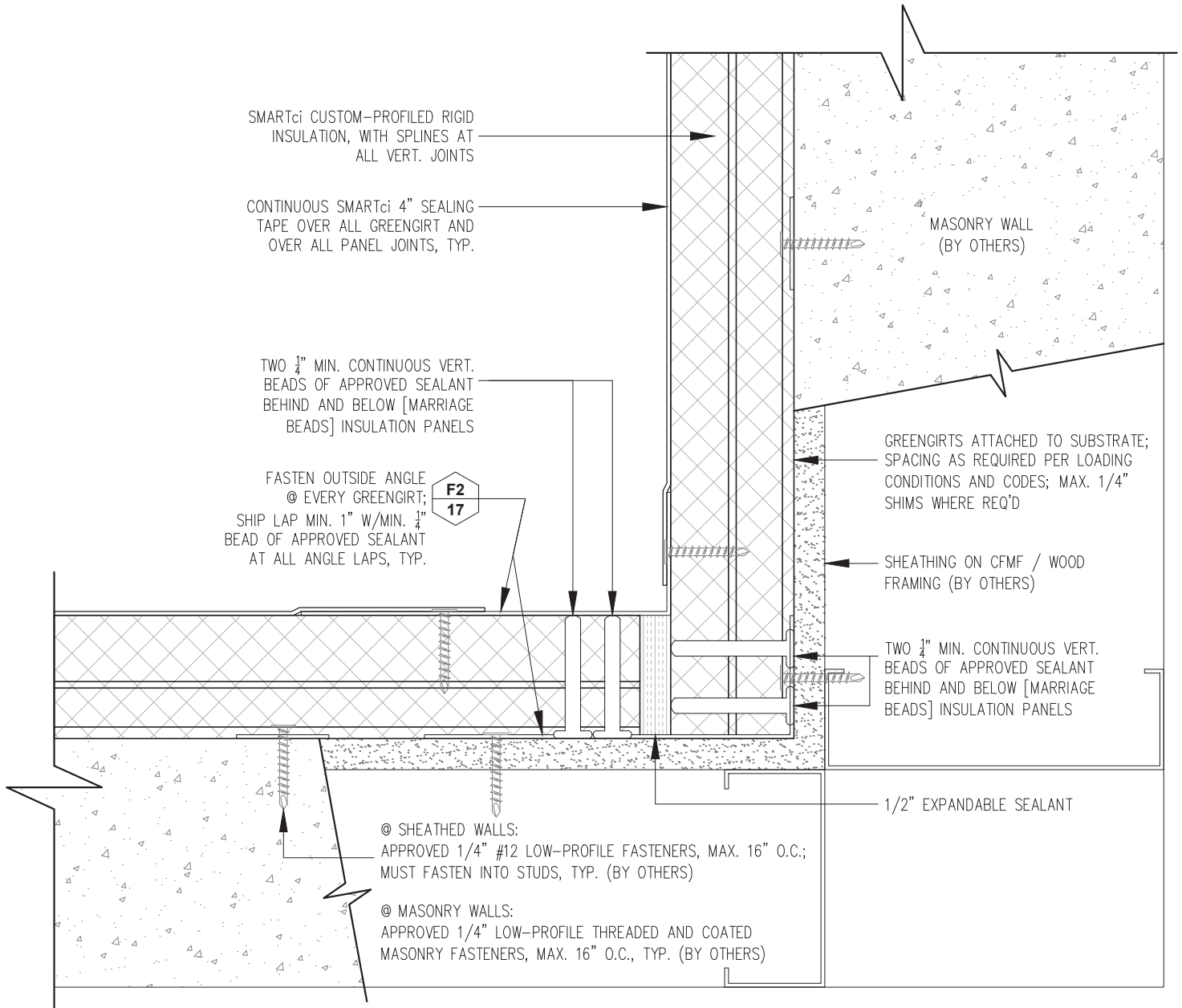
SIMPLE-Z SIZE: 200

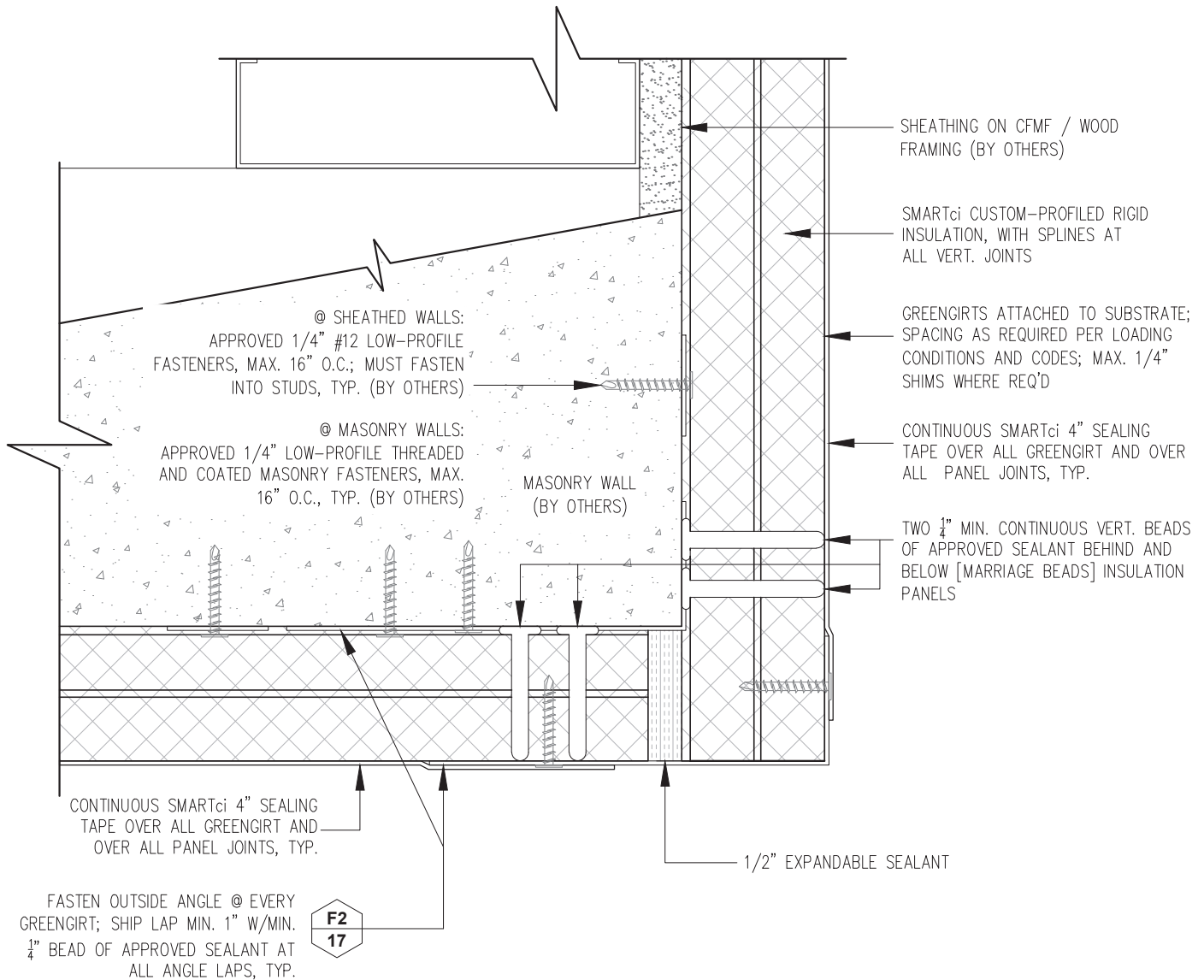
SMARTci™ RIGID INSULATION PANEL

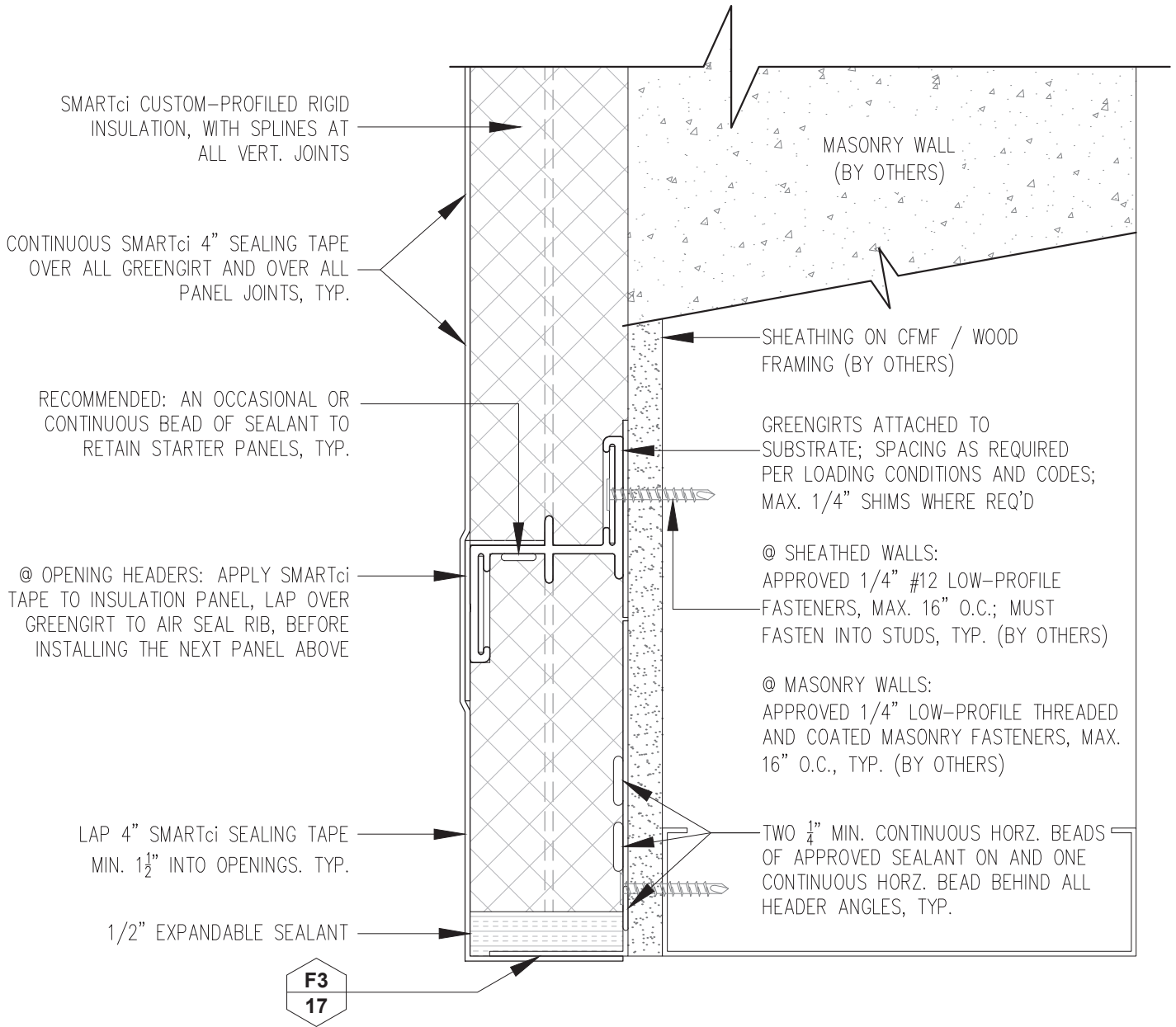
DATE: 10-18-2016

GIRT ORIENTATION: HORIZONTAL

FOUNDATION FLUSH DETAIL







SMARTci+ System

SUBSTRATE: SHEATHING / MASONRY

CLADDING: -

SIMPLE-Z SIZE: 200

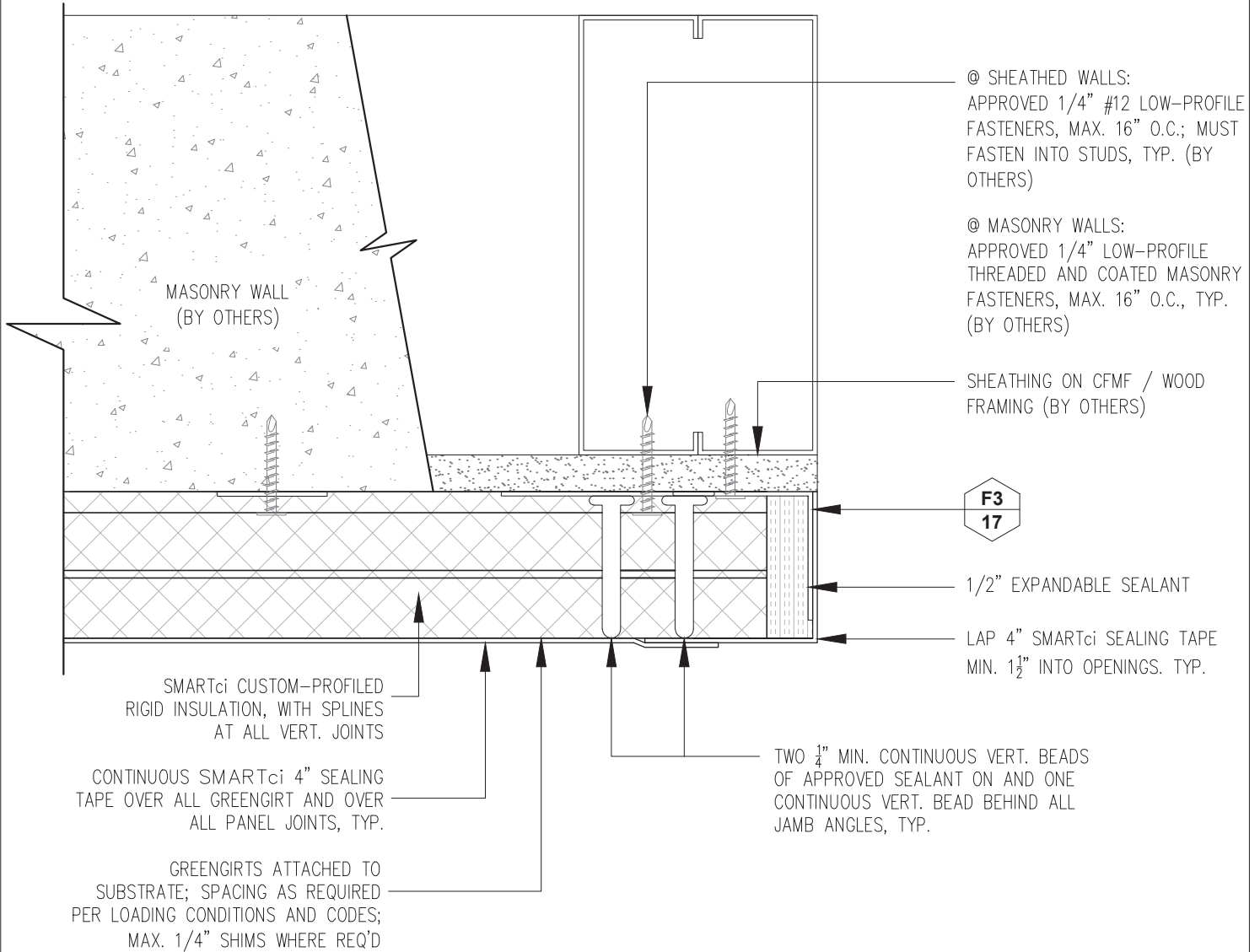
SMARTci™ RIGID INSULATION PANEL

DATE: 10-18-2016

GIRT ORIENTATION: HORIZONTAL

HEADER DETAIL

NOT TO SCALE



SMARTci+ System

SUBSTRATE: SHEATHING / MASONRY

SMARTci™ RIGID INSULATION PANEL

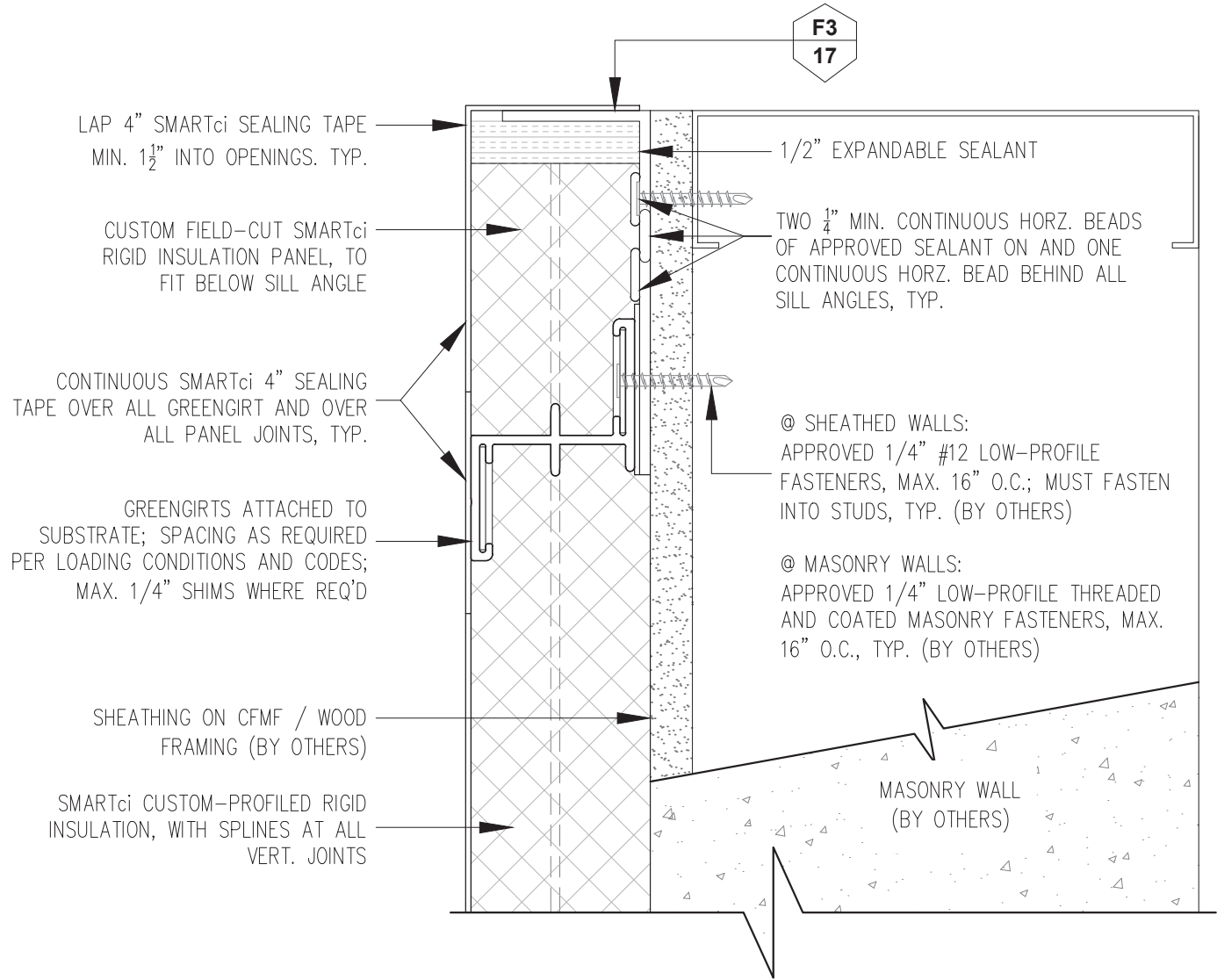
CLADDING: -

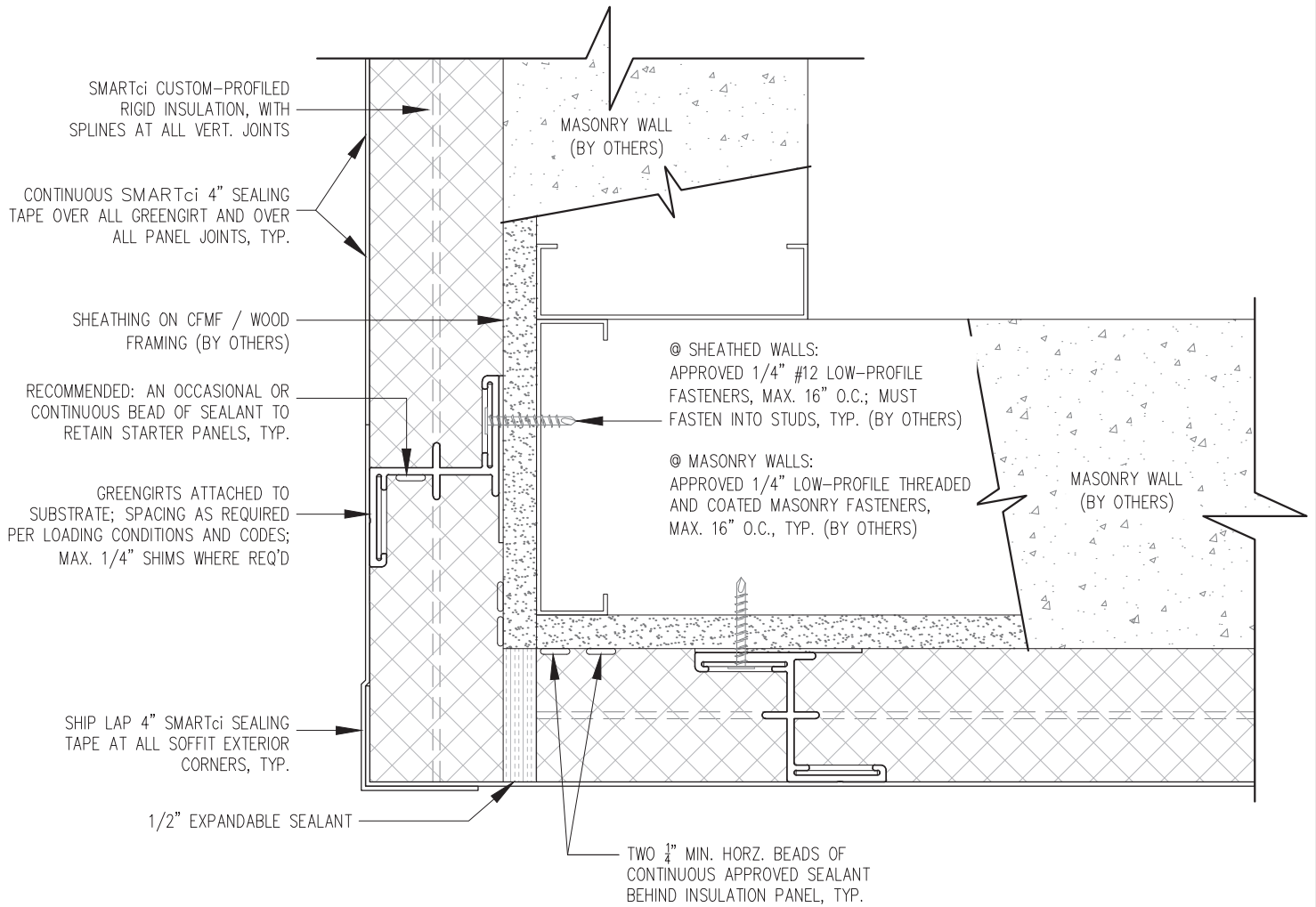
DATE: 10-18-2016

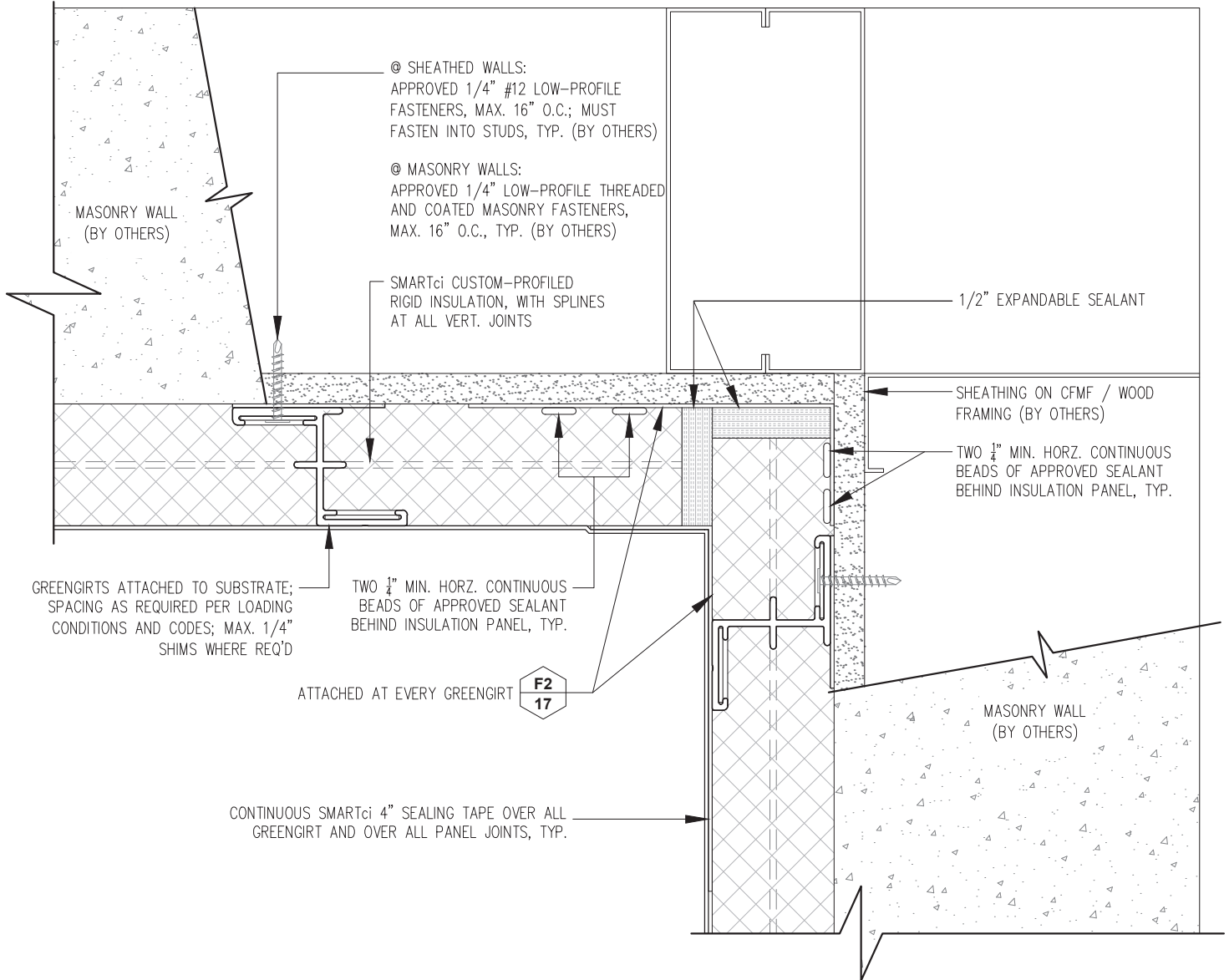
SIMPLE-Z SIZE: 200

GIRT ORIENTATION: HORIZONTAL

JAMB DETAIL







SMARTci+ System

SUBSTRATE: SHEATHING / MASONRY

CLADDING: -

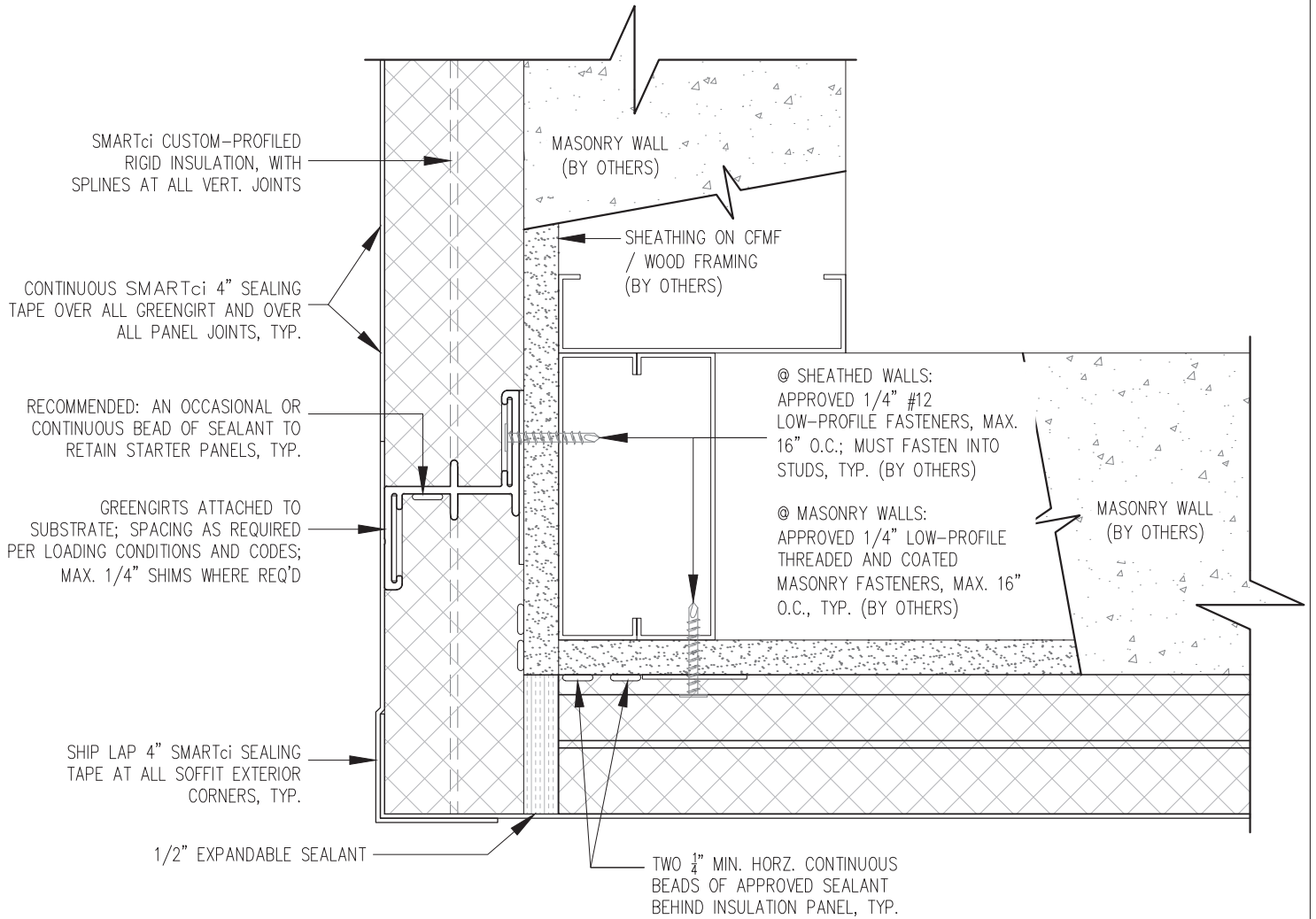
SIMPLE-Z SIZE: 200

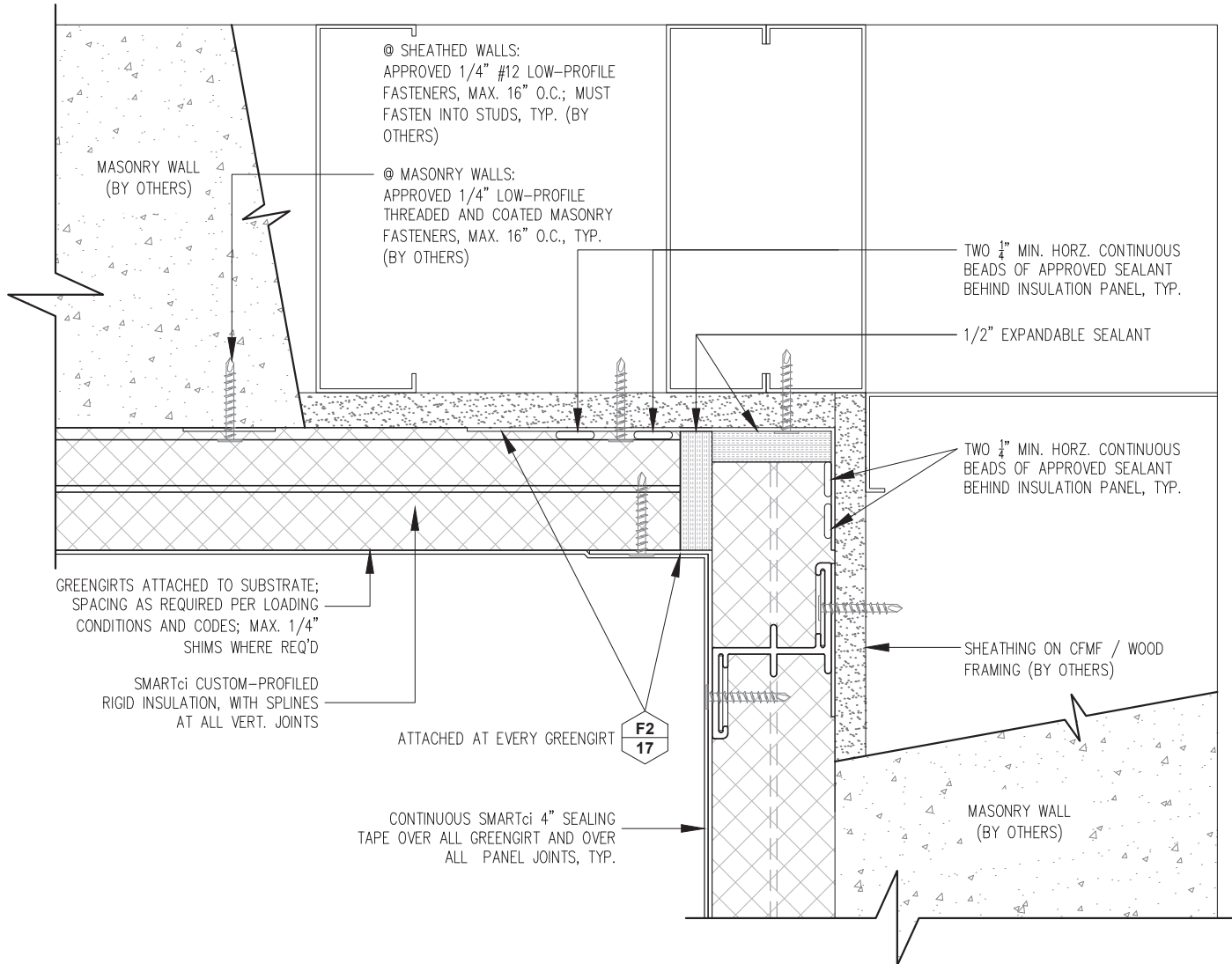
SMARTci™ RIGID INSULATION PANEL

DATE: 10-18-2016

GIRT ORIENTATION: HORIZONTAL

SOFFIT INSIDE DETAIL-1





SMARTci+ System

SUBSTRATE: SHEATHING / MASONRY

CLADDING: -

SIMPLE-Z SIZE: 200

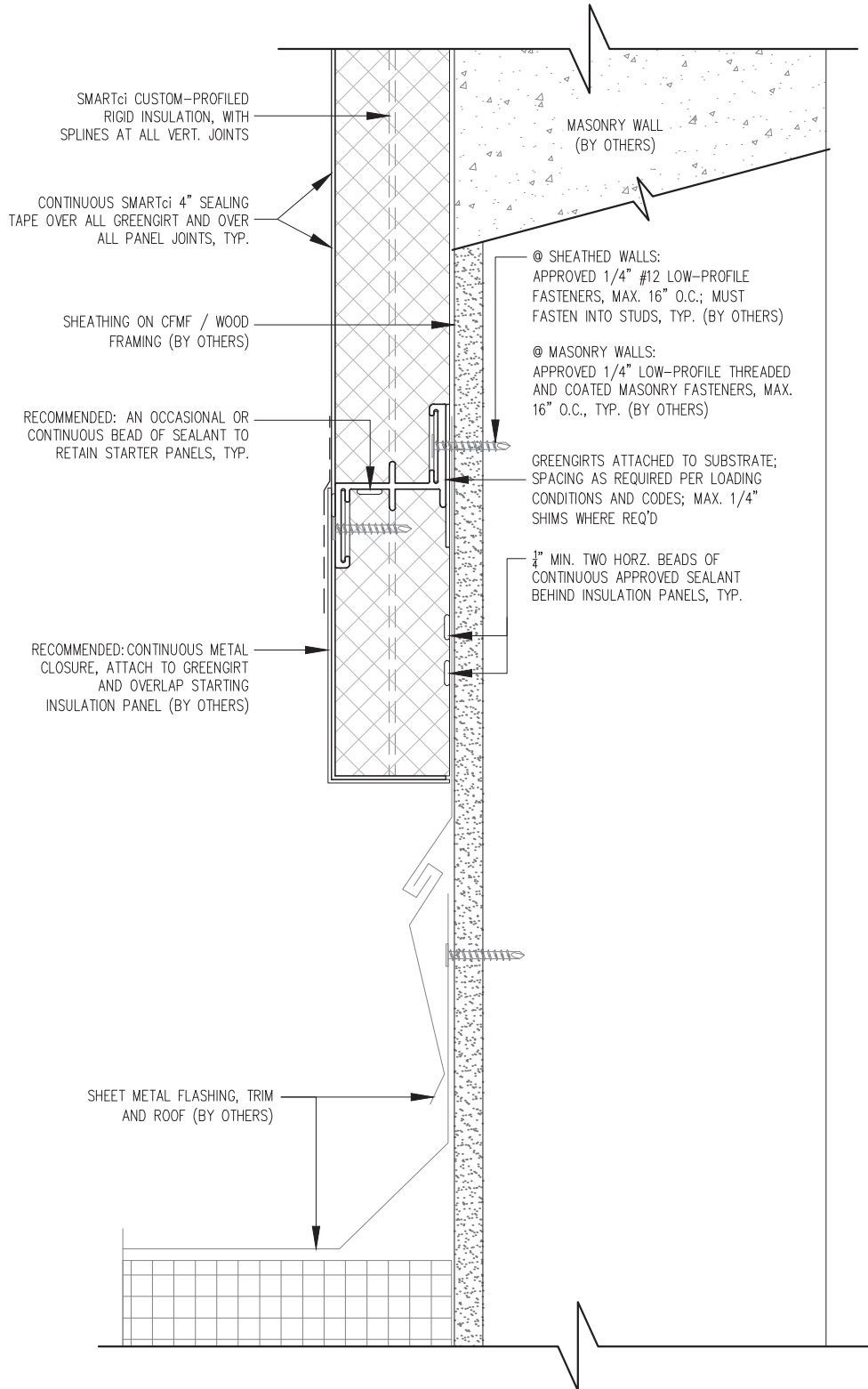
SMARTci™ RIGID INSULATION PANEL

DATE: 10-18-2016

GIRT ORIENTATION: HORIZONTAL

SOFFIT INSIDE DETAIL-2

NOT TO SCALE



SMARTci+ System

SUBSTRATE: SHEATHING / MASONRY

SMARTci™ RIGID INSULATION PANEL

CLADDING: -

DATE: 10-18-2016


SIMPLE-Z SIZE: 200

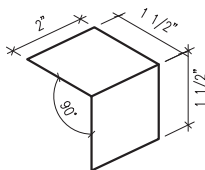
GIRT ORIENTATION: HORIZONTAL

BASE AT ROOF


NOT TO SCALE

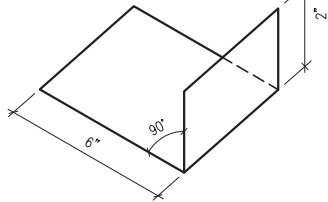


	MARK	GIRTH	BREAKS
	F1	3	1




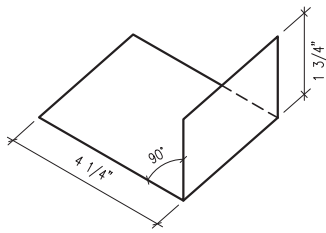
MIN. 22 GAUGE METAL 1 1/2" x 1 1/2" ANGLED RETENTION CLIPS, MAX 24" O.C.

	MARK	GIRTH	BREAKS
	F2	8	1



MIN. 22 GAUGE CONTINUOUS GALVANIZED STEEL 6" X 2" ANGLE CORNER CLOSURE, FASTENED AT EVERY GREENGIRT

	MARK	GIRTH	BREAKS
	F3	6	1



MIN. 22 GAUGE CONTINUOUS GALVANIZED STEEL 1 3/4" X 4 1/4" ANGLE CORNER CLOSURE, FASTENED AT EVERY GREENGIRT

NOTE! REQUIRED ACCESSORIES AND METAL FLASHINGS MUST BE USED WITH THIS SYSTEM. THESE COMPONENTS CAN BE MANUFACTURED AND / OR PROVIDED BY ADVANCED ARCHITECTURAL PRODUCTS, OR BY THE CUSTOMER. THEY ARE NOT OPTIONAL, AND ARE NECESSARY FOR THE PROPER INSTALLATION AND FUNCTION OF THE SYSTEM.

PLEASE CONTACT AN A2P SALES REPRESENTATIVE WITH ANY QUESTIONS, FOR PRICING INFORMATION, OR TO INQUIRE ABOUT CUSTOM-SIZED METAL FLASHINGS AND ACCESSORIES.


GREENGIRTS AND CUSTOM-PROFILED RIGID INSULATION PANELS ARE PROVIDED FOR THIS PROJECT AS A THERMALLY-BROKEN COMPOSITE SUB-FRAMING SYSTEM AND CONTINUOUS INSULATION. THIS SYSTEM DOES NOT INCLUDE MOISTURE DRIVE DESIGN OR VAPOR BARRIER DESIGN AND PLACEMENT. WEATHER PROOFING, RESISTANCE AND / OR WATER TIGHTNESS IS THE SOLE RESPONSIBILITY OF OTHERS. PROPER FLASHINGS & COUNTER FLASHINGS MUST BE INSTALLED BY OTHERS, AND IT IS RECOMMENDED THAT PROVEN CONSTRUCTION BEST PRACTICES BE FOLLOWED AT ALL TIMES.

DO NOT INSTALL ANY A2P PRODUCT UNLESS CARE HAS BEEN TAKEN TO REVIEW ALL OF THE DOCUMENTS RELEVANT TO THE PRODUCT INSTALLATION, AND PROPER TRAINING HAS BEEN COMPLETED.

ALWAYS DEFAULT TO ARCHITECT'S DETAILS AND DESIGN INTENT! DETAILS ARE PROVIDED FOR INFORMATION ONLY, AS IT PERTAINS TO INSTALLING GREENGIRT. SPECIFIC PROJECT ENGINEERING (BY OTHERS) WILL ADDRESS ATTACHMENT SPACING, ORIENTATION AND LOADING. ALWAYS REVIEW LOADING REQUIREMENTS WITH THE PROJECT ENGINEER, AND USE APPROPRIATE FASTENERS AND SPACING.

USE PLASTIC HORSESHOE SHIMS WHERE REQUIRED TO ACHIEVE ± 1/16" DEFLECTION; MAX. SHIM DEPTH IS 1/4". USE SPRAY FOAM AT ALL VOIDS TO ENSURE CONTINUOUS INSULATION. DO NOT USE IMPACT HAMMERS, IMPACT DRILLS OR SIMILAR TOOLS TO INSTALL GREENGIRT!

ADVANCED ARCHITECTURAL PRODUCTS MAKES NO CLAIMS OR GUARANTEES ABOUT ANY ITEMS MANUFACTURED BY OTHERS. ADVANCED ARCHITECTURAL PRODUCTS IS NOT RESPONSIBLE FOR QUANTITIES ORDERED. RECOMMENDED QUANTITIES MUST BE VERIFIED AND ARE THE RESPONSIBILITY OF THE CUSTOMER. REFER TO THE SMARTci INSTALLATION GUIDE FOR DIRECTIONS AND MORE INFORMATION.

 <p>SMARTci SMARTER BY DESIGN. PROVEN BY PERFORMANCE.</p> <p>SMARTci+ System</p> <p>www.SMARTciSystems.com 1 (269) 355-1818</p>	SUBSTRATE: SHEATHING / MASONRY	SMARTci™ RIGID INSULATION PANEL
	CLADDING: -	DATE: 10-18-2016
	SIMPLE-Z SIZE: 200	GIRT ORIENTATION: HORIZONTAL
<h1>ACCESSORIES & GEN. NOTES</h1> <p>NOT TO SCALE</p>		
<div style="border: 1px solid black; padding: 2px 10px;">17</div>		